



charcoal: LC-LC-CG



black: LC-LC-BL



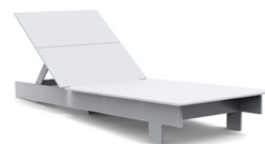
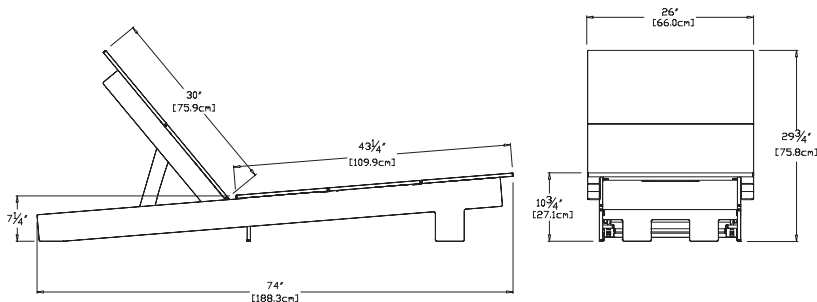
cloud: LC-LC-CW



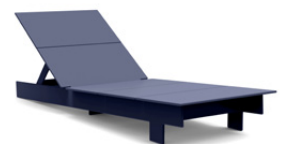
leaf: LC-LC-LG



apple red: LC-LC-AR



driftwood: LC-LC-DW



navy blue: LC-LC-NB



sky: LC-LC-SB



sunset: LC-LC-OR

collection: lollygagger
material: 100% recycled HDPE
dimensions: width: 26" (66.0cm)
 depth: 74" (188.3cm)
 height: 29.75" (75.8cm)
weight: 60 lbs (27.2kg)



480
 reclaimed
 milk jugs



flat pack shipped
 some assembly required

