



**charcoal:** AL-ADAT7240-CG



**black:** AL-ADAT7240-BL



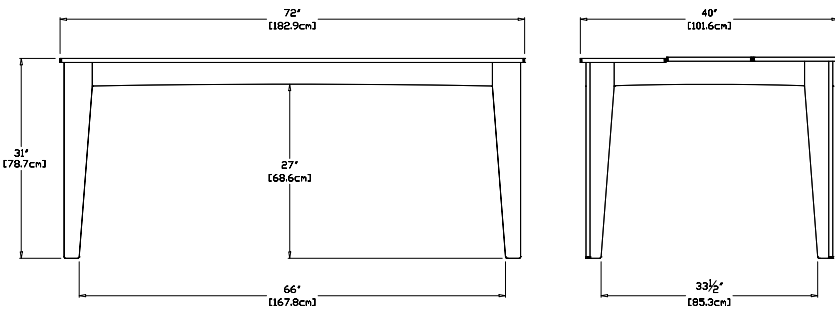
**cloud:** AL-ADAT7240-CW



**leaf:** AL-ADAT7240-LG



**apple:** AL-ADAT7240-AR



**driftwood:** AL-ADAT7240-DW



**navy blue:** AL-ADAT7240-NB



**sky:** AL-ADAT7240-SB



**sunset:** AL-ADAT7240-OR

**collection:** alfresco  
**material:** 100% recycled HDPE  
**dimensions:** width: 72" (182.9cm)  
 depth: 40" (101.6cm)  
 height: 31" (78.7cm)  
**weight:** 110 lbs (49.9kg)



**880**  
 reclaimed  
 milk jugs



shipped knocked down  
 some assembly required

