



charcoal: AL-ADAT4040-CG



black: AL-ADAT4040-BL



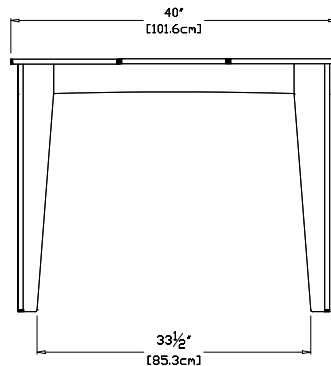
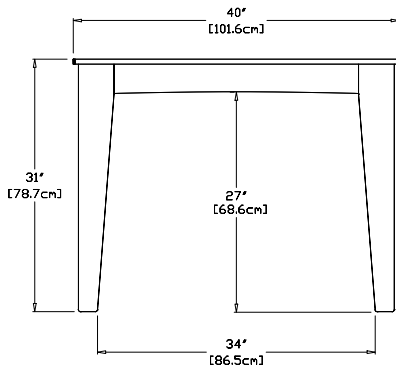
cloud: AL-ADAT4040-CW



leaf: AL-ADAT4040-LG



apple: AL-ADAT4040-AR



driftwood: AL-ADAT4040-DW



navy blue: AL-ADAT4040-NB



sky: AL-ADAT4040-SB



sunset: AL-ADAT4040-OR

collection: alfresco
material: 100% recycled HDPE
dimensions: width: 40" (101.6cm)
 depth: 40" (101.6cm)
 height: 31" (78.7cm)
weight: 66 lbs (29.9kg)



528
 reclaimed
 milk jugs

shipping dimensions:
shipping weight:



flat pack shipped
 some assembly required

