



**charcoal:** FA-ADA4040-CG



**black:** FA-ADA4040-BL



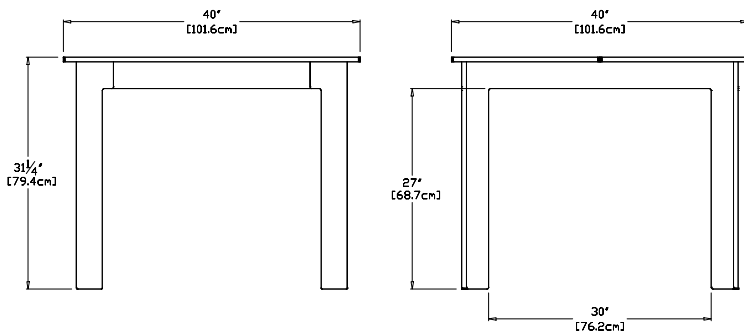
**cloud:** FA-ADA4040-CW



**leaf:** FA-ADA4040-LG



**apple red:** FA-ADA4040-AR



**driftwood:** FA-ADA4040-DW



**navy blue:** FA-ADA4040-NB



**sky:** FA-ADA4040-SB



**sunset:** FA-ADA4040-OR

**collection:** fresh air  
**material:** 100% recycled HDPE  
**dimensions:** width: 40" (101.6cm)  
 depth: 40" (101.6cm)  
 height: 31.25" (79.4cm)  
**weight:** 70 lbs (31.8 kg)



**560**  
reclaimed  
milk jugs

**shipping dimensions:** 48" x 6" x 48"  
**shipping weight:** 92 lbs (41.7kg)



shipped knocked down  
some assembly required

