



charcoal: AD-A2S-CG



black: AD-A2S-BL



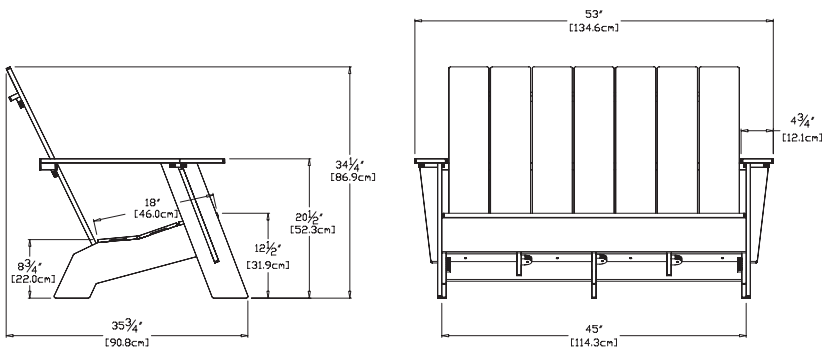
cloud: AD-A2S-CW



leaf: AD-A2S-LG



apple: AD-A2S-AR



driftwood: AD-A2S-DW



navy blue: AD-A2S-NB



sky: AD-A2S-SB



sunset: AD-A2S-OR

collection: adirondack
material: 100% recycled HDPE
dimensions: width: 53" (134.6cm)
 depth: 35.75" (90.8cm)
 height: 34.25" (86.9cm)
weight: 90 lbs (40.8kg)



720
reclaimed
milk jugs

shipping dimensions: 30" x 4" x 48"
shipping weight: 96 lbs (43.5kg)



shipped knocked down
some assembly required

